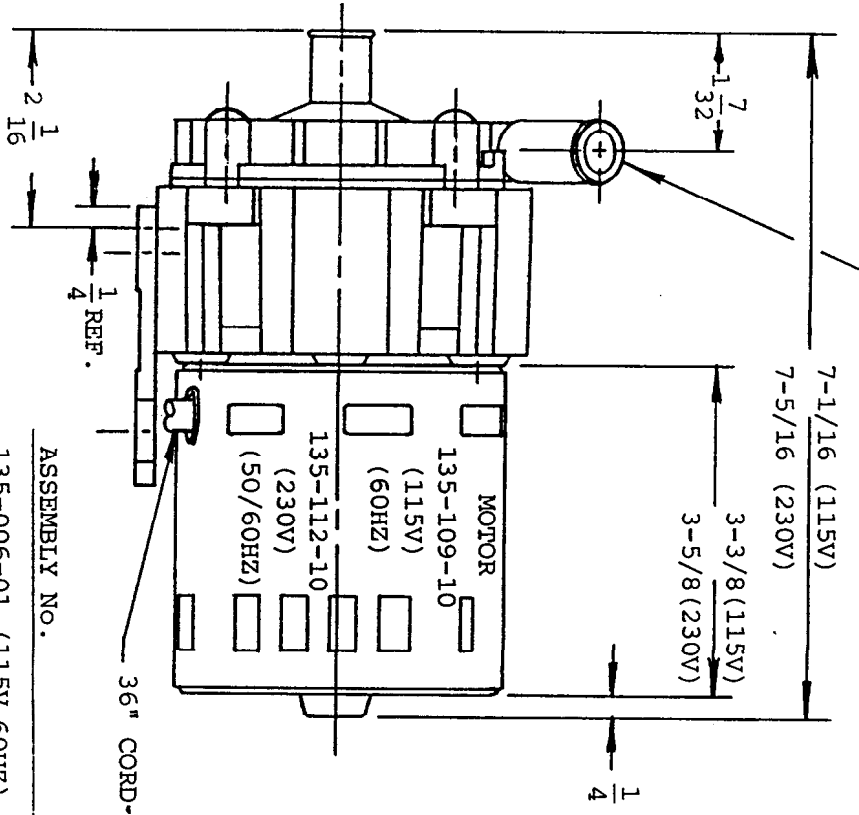
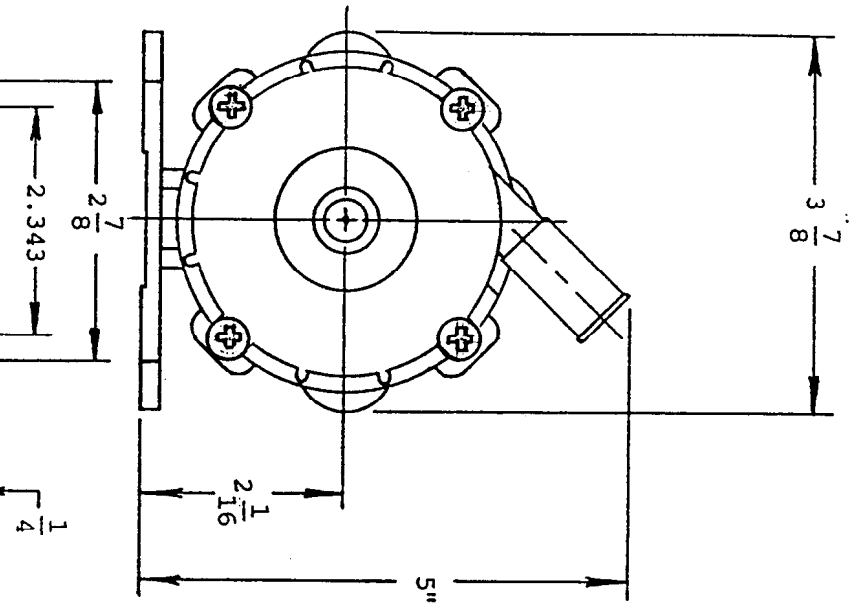


REDRAWN
7-19-93 J.T.

WING NUTS (4)
REMOVED. ASS'Y
NOW USES (4)
SCREWS.
7-29-96 J.T.

INLET & OUTLET FOR 5/8" I.D. TUBING



ASSEMBLY No.
135-006-01 (115V 60HZ)
135-163-02 (230V 50/60HZ)

MARCH MFG. INC.
1819 PICKWICK AVE.
GLENVIEW, IL

PART NAME PUMP ASSEMBLY MDX-5/8

MOTOR: FASCO

HEAT TRMT.

FINISH

UNLESS OTHERWISE NOTED
TOLERANCE ON FRACTIONS ± 1/64
TOLERANCE ON DECIMALS ± .005

PART NUMBER 135 SERIES

SCALE 1/2"=1"	QTY. 1
DRAWN J.T./HZ	DATE 7-19-93

CHECKED	
APPROVED	

QTY. USED ON ASSEM.

THIS DOCUMENT DISCLOSED SUBJECT MATTER IN WHICH MARCH MFG. INC. HAS PROPRIETARY RIGHTS. NEITHER RECEIPT NOR POSSESSION THEREOF CONFER OR TRANSFER ANY RIGHT TO REPRODUCE OR DISCLOSE THE DOCUMENT, ANY PART THEREOF, ANY INFORMATION CONTAINED THEREIN, OR ANY ORIGINAL ARTICLE OR DEVICE OR TO PRACTICE ANY METHOD OR PROCESS, EXCEPT BY WRITTEN PERMISSION FROM OR WRITTEN AGREEMENT WITH MARCH MFG. INC.

5/16 R. TYP.
1.000
3.250
2.062
2 7/8
2 7/8
.219 DIA. HOLE (6)