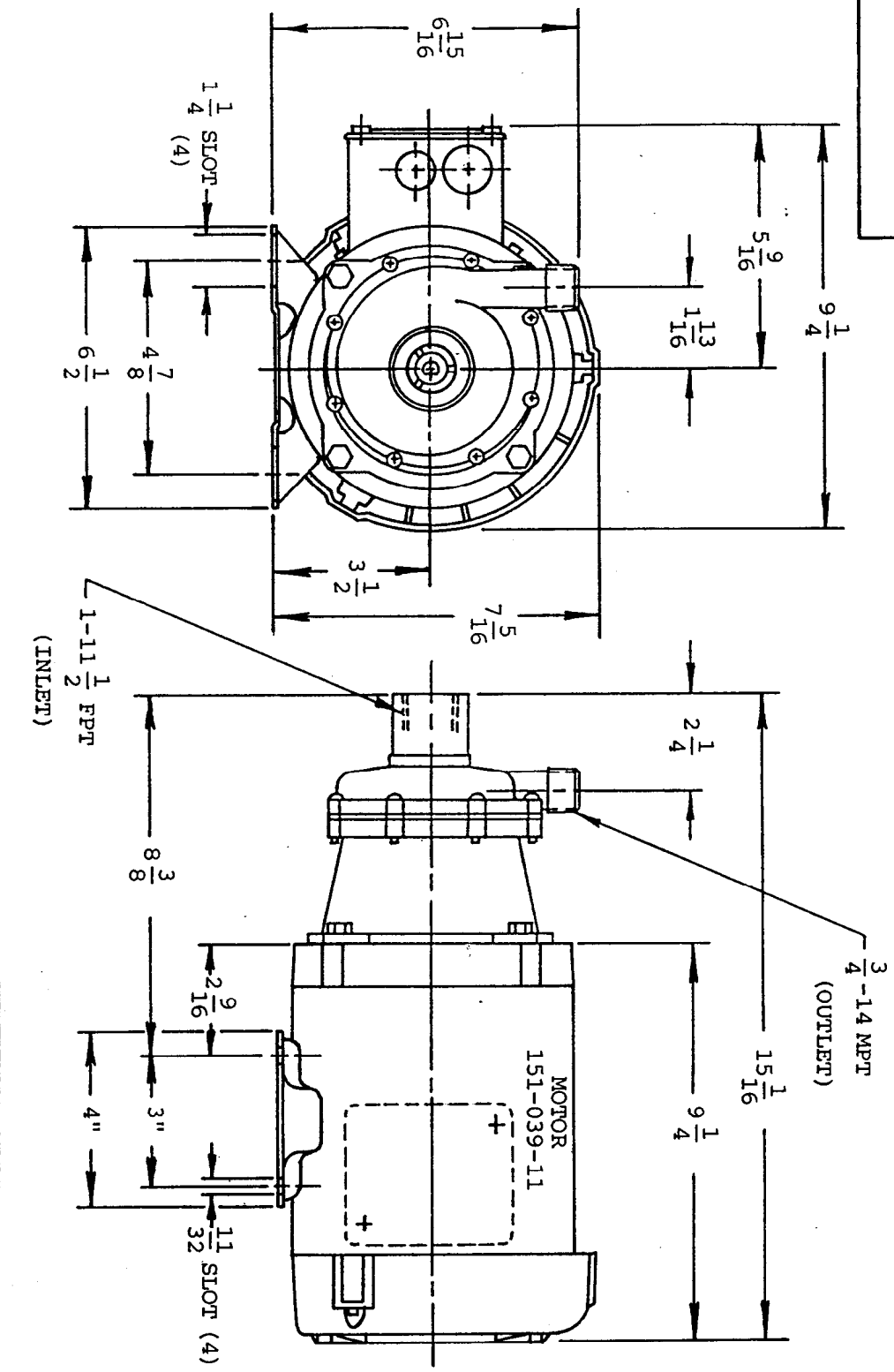


REDRAWN
10-28-93 J.T.



MODEL ASSEMBLY NO.
 (POLYPROPYLENE) TE-5.5C-MD-3PH 151-027-08
 (KYNAR) TE-5.5K-MD-3PH 151-027-09

THIS DOCUMENT DISCLOSES SUBJECT MATTER IN WHICH MARCH MFG. INC. HAS PROPRIETARY RIGHTS. NEITHER RECEIPT NOR POSSESSION
 HEREIN CONSTITUTES AN ADVERTISEMENT OR OFFER OF SALE OF ANY PRODUCT OR SERVICE. ANY INFORMATION CONTAINED
 THEREIN OR ANY PHYSICAL ARTICLE OR DEVICE ON TO PRACTICE ANY METHOD OR PROCESS, EXCEPT BY WRITTEN PERMISSION FROM OR
 WRITTEN AGREEMENT WITH MARCH MFG. INC.

MARCH MFG. INC.		GLENVIEW, IL	
1819 PICKWICK AVE.			
PART NAME	PUMP ASSEMBLY	TE-5.5C-MD-3PH	
MOTOR:	MARATHON - 1/3 HP - 3 PHASE - TEFC - 56 FR	TE-5.5K-MD-3PH	
	208-230/460V 60HZ		
	230/460V 50HZ		
FINISH		SCALE 1/4"=1"	QTY. 1
UNLESS OTHERWISE NOTED		DRAWN JTF/HZ	DATE 10-28-93
TOLERANCE ON FRACTIONS ± 1/64		CHECKED	
TOLERANCE ON DECIMALS ± .005		APPROVED	
PART NUMBER	151 SERIES		

QTY. USED ON ASSEM.