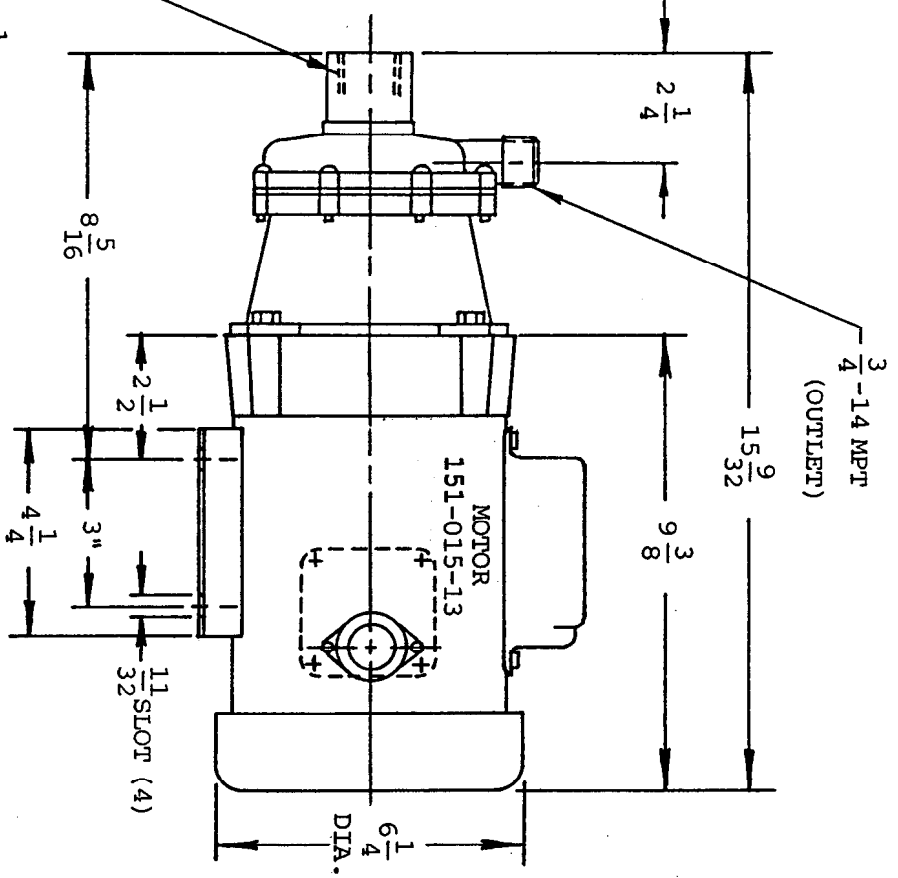
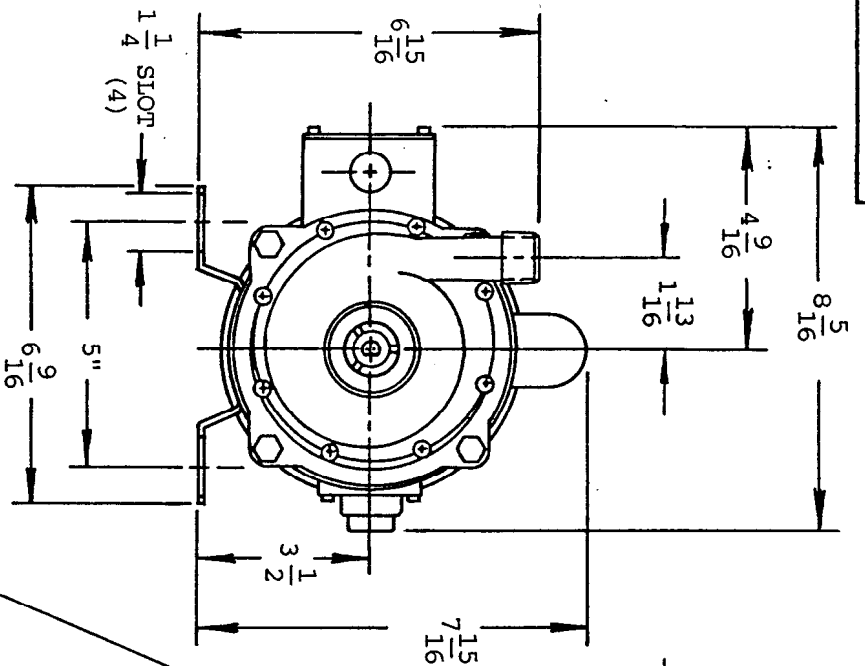


(A) REDRAWN.
10-27-93 J.T.



MODEL ASSEMBLY NO.
 (POLYPROPYLENE) TE-5.5C-MD-1PH 151-027-01
 (KYNAR) TE-5.5K-MD-1PH 151-027-03

MARCH MFG. INC.	
1819 PICKWICK AVE. GLENVIEW, IL.	
PART NAME	TE-5.5C-MD-1PH PUMP ASSEMBLY TE-5.5K-MD-1PH
MOTOR:	BALDOR 1/3 HP - 1 PHASE - TEFC - 48 FR 115/230V 50/60HZ
FINISH	UNLESS OTHERWISE NOTED TOLERANCE ON FRACTIONS ± 1/64 TOLERANCE ON DECIMALS ± .005
PART NUMBER	151 SERIES
SCALE	1/4"=1" QTY. 1
DRAWN	JT/HZ DATE 10-27-93
CHECKED	
APPROVED	

QTY. USED ON ASSEM.	

THIS DOCUMENT DISCLOSED SUBJECT MATTER IN WHICH MARCH MFG. INC. HAS PROPRIETARY RIGHTS, NEITHER RECEIPT NOR POSSESSION
 THEREIN OR ANY PART THEREOF, NOR REPRODUCTION OR DISSEMINATION OF THE SAME, SHALL BE MADE WITHOUT THE WRITTEN
 PERMISSION OF MARCH MFG. INC.